

OLCT 10/OLC 10

Toxic / Flammable Gas Detectors

- Toxic gas monitor (OLCT 10)
- Combustible gas monitor (OLC 10)
- Fast and accurate response
- ATEX Approval for use in hazardous areas
- IP66



Designed for use in boiler rooms and parking garages, the OLCT 10 and OLC 10 gas monitors give you the most cost-effective solution for the continuous monitoring of toxic (OLCT 10) or flammable gases and vapors (OLC 10) in ambient air. Easy to install and operate, these detectors combined with the MX 15 control unit meet demanding user requirements.



OLC 10

Type:	Catalytic bead sensor (pellistor measuring principle)
Size (W x H x D):	118 x 126 x 58 mm
Material:	ABS
IP Rating:	IP66
Expected lifetime:	> 4 years
Operating temperature:	-10 to + 45 °C
Operating humidity range:	0 % RH to 95 % RH
Operating pressure:	80 to 120 kPa
Accuracy:	+/- 3% LEL
Response time:	T50 < 10s, T90 < 20s

OLC 10

Signal output:	Wheatstone Bridge
Measuring range:	Combustible gases – 0 to 100 % LEL

Non-ambiguity reading: Managed by control unit

Settings: On control unit

Power supply:	by control unit only
Consumption:	See user manual of the control unit
Cabling:	OLC10: 3-wire, shielded, core size 1,5 mm ² , max. cable length 300 m 1 cable-gland M16 (outer \ 4 to 8 mm) OLC 10 TWIN: shielded, core size 1,5 mm ² , 3-wire to control unit, 4-wire between both sensors, max. cable length 300 m, 2 cable-glands M16 (outer \ 4 to 8 mm)

Approvals: Electromagnetic compatibility according to EN 50270
ATEX II 3 G / EEx nA IIC T6

OLCT 10

Normal operation 4-20mA (Fault < 0.5 mA or > 23.2 mA)
Oxygen – 0 to 30% by volume
Carbon Monoxide – 0 to 300 ppm
Nitric Oxide – 0 to 100 ppm
Nitrogen Dioxide – 0 to 30 ppm
Set to 23,2 mA if value > 100% LEL according to European standard EN 61779-4
Disable on request when managed by a suitable controller
Without opening the enclosure by means of 2 potentiometers for zeroing and spanning
2 mA signal output in maintenance mode
One dedicated connector to get a gas measurement
15 to 30 Vdc (nominal 24 Vdc) 1 : I out (signal) 2 : 0V 3 : +24 Vdc
100 mA max

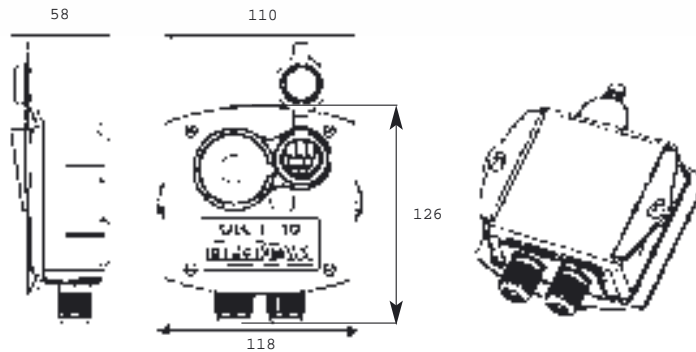
3-wire, shielded, core size 1,5 mm², max. cable length 1 km if connected with control unit (32 V max in loop)
1 cable gland M16 (outer \ 4 to 8 mm)

ATEX II 3 G / EEx nA IIC T4

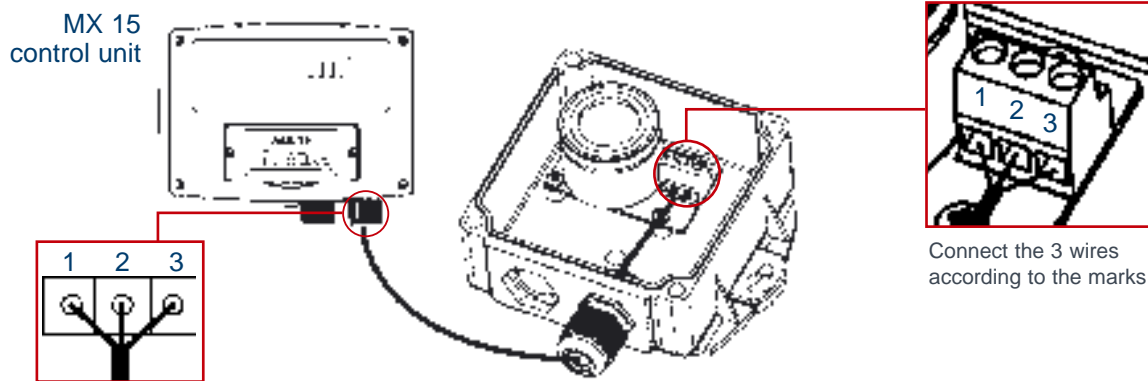
OLCT 10/OLC 10

SPECIFICATIONS

Dimensions



Wiring connection between OLC 10 or OLCT 10 and MX 15 control unit



Wiring connection between OLC 10 TWIN and MX 15 unit

